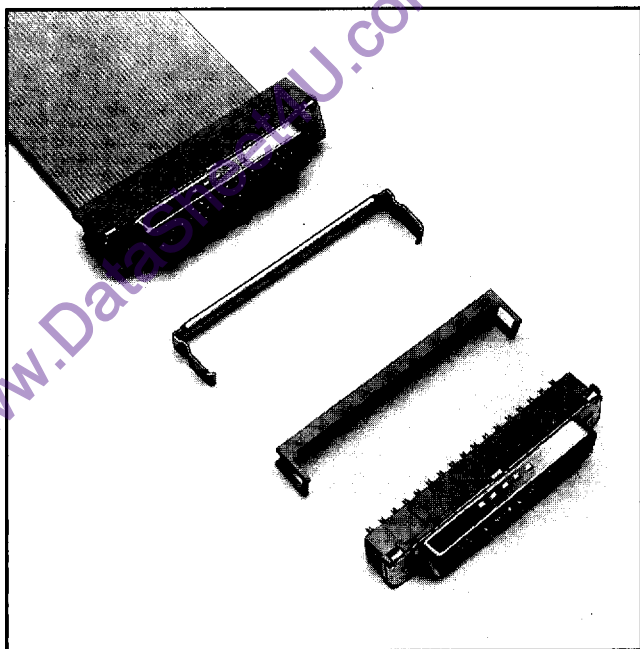


D Sub

Plug Connector, 50 Position

8250 Series



- IDC compatible
- Dimples aid in EMI/ESD protection
- Lower insertion/withdrawal force than other 50 position products
- Available in either preassembled or two piece covers
- Available in either open or closed end cover
- Mounting options include #4-40 UNC or metric M2.5 threaded inserts
- Conforms to Intelligent Peripheral Interface (IPI) standard

TS-0035-11
Sheet 1 of 3

119

Physical

Insulation

Material: Glass Filled Polyester (PBT)
Flammability: UL 94V-0
Color: Gray

Contact

Material: Copper Alloy
Plating
Underplate: 100 μ " (1.27 μ m) Nickel — QQ-N-290, Class 2
Wiping Area: 30 μ " (0.76 μ m) Gold — MIL-G-45204, Type II, Grade C

Shell

Material: Steel
Plating: Tin

Strain Relief Material: Stainless Steel .020 (0.50) Thick

Wire Accommodation: 26 & 28 AWG Solid or Stranded

Marking: 3M Logo & Contact Position Numbers

Electrical

Current Rating: 1 A

Insulation Resistance: $> 1 \times 10^9 \Omega$ at 500 VDC

Withstanding Voltage: 1000 Vrms at Sea Level

Environmental

Temperature Rating: -55° to $+105^\circ$

UL File No.: E68080

3M Electronic Products Division

<http://www.3M.com/interconnects/>

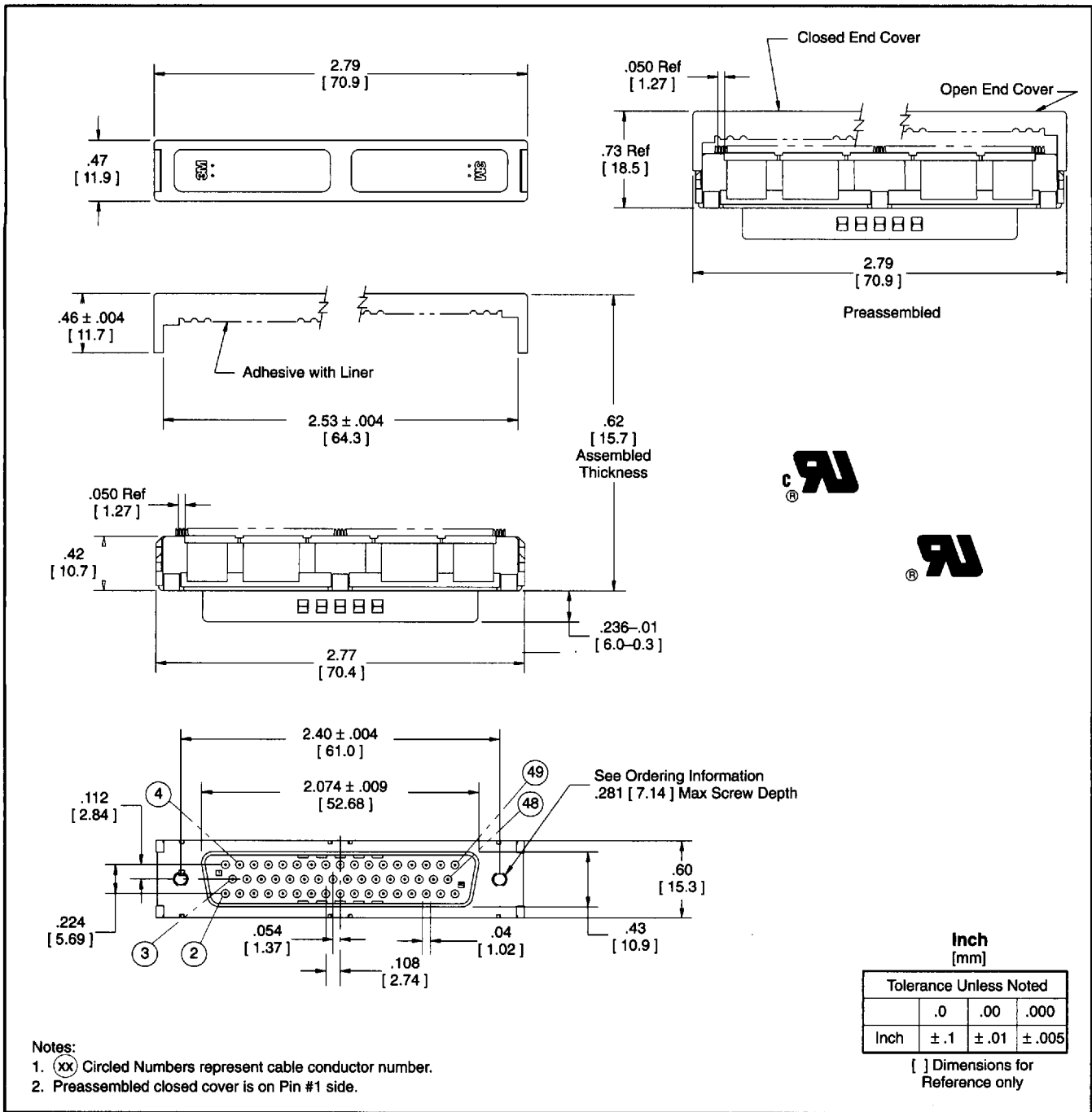
335

For technical, sales or ordering information call
800-225-5373

D 19F ■ 9035312 0004529 147 ■

D Sub Plug Connector, 50 Position

8250 Series



Inch
[mm]

Tolerance Unless Noted			
	.0	.00	.000
Inch	±.1	±.01	±.005

[] Dimensions for Reference only

Notes:

1. (xx) Circled Numbers represent cable conductor number.
2. Preassembled closed cover is on Pin #1 side.

Ordering Information

**Connector
8250-X00X**

**Strain Relief
(Order Separately)
3448-8D50**

- Cover Style:**
- 6 = Open Cover
 - 7 = Closed Cover
 - 8 = Open Cover, W/O Adhesive, Preassembled
 - 9 = Closed Cover, W/O Adhesive, Preassembled
- Mounting Style:**
- 5 = 4-40 UNC
 - 6 = M2.5

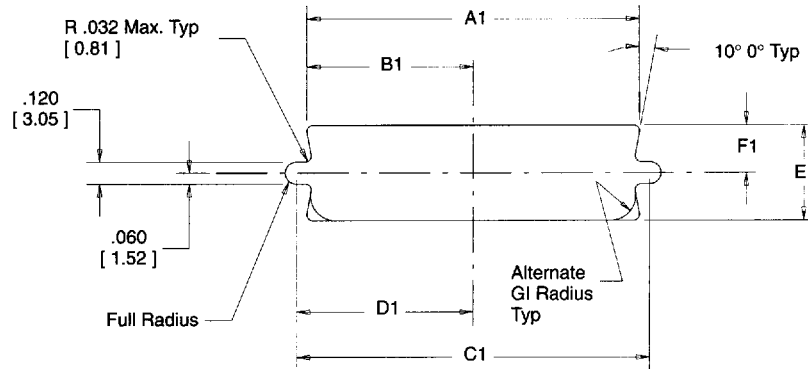
TS-0035-11
Sheet 2 of 3

D Sub Plug Connector, 50 Position

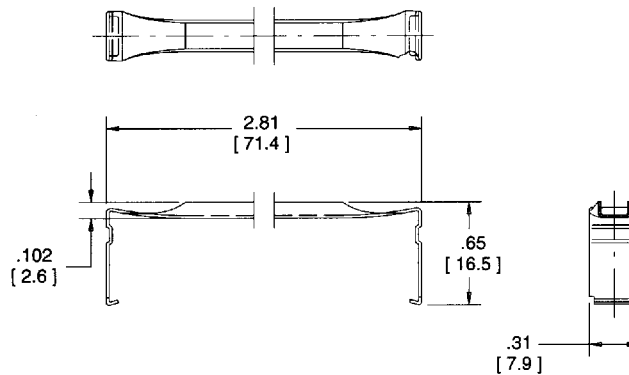
8250 Series

Mounting Method*	Contact Quantity	Dimensions						
		A1	B1	C1	D1	E1	F1	G1
Rear	50	2.218 [56.34]	1.109 [28.17]	2.40 [61.1]	1.20 [30.55]	0.525 [13.34]	0.225 [5.70]	0.120 [3.05]

* Rear Mount — The connector is mounted behind the panel.



Strain Relief
(Order Separately or with Connector)



TS-0035-11
Sheet 3 of 3